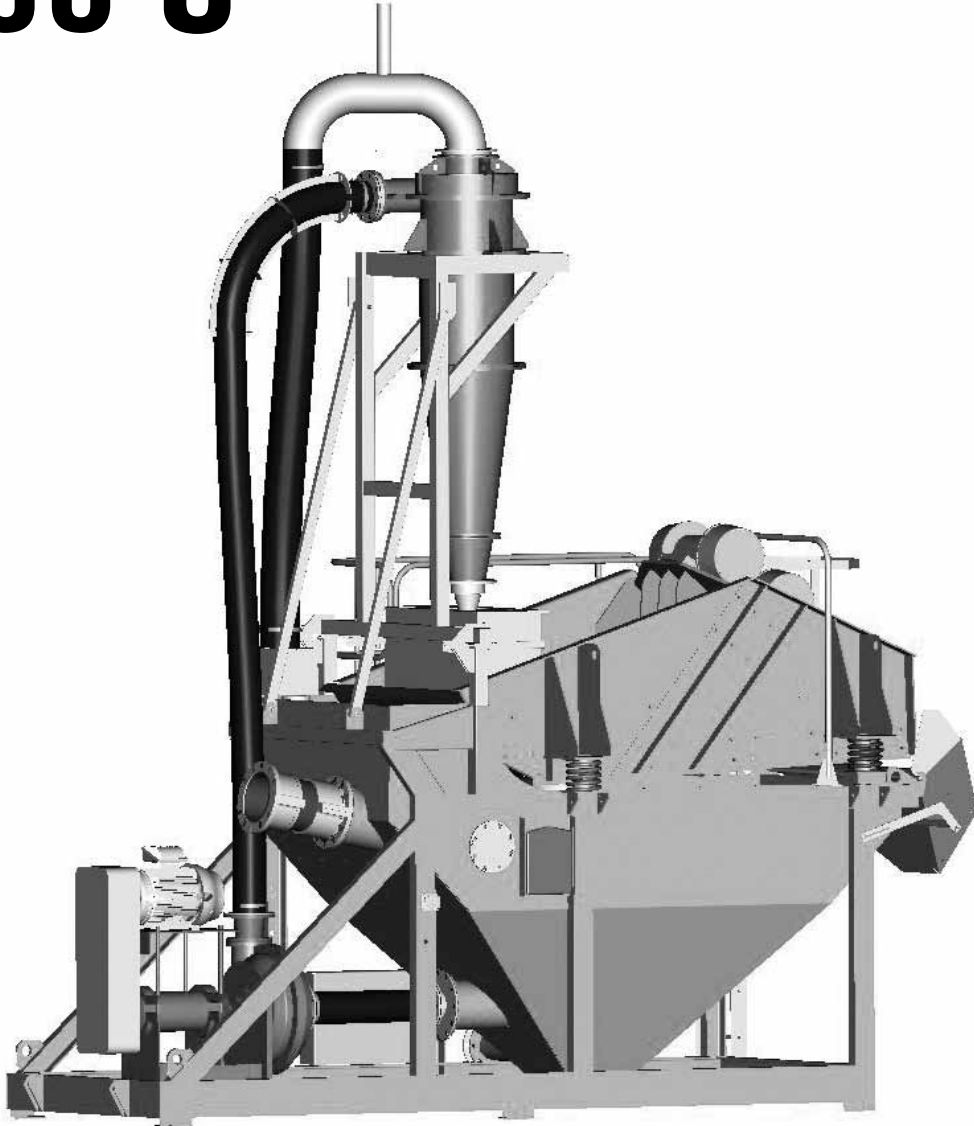


FM 60 C



FEATURES

- Static sand recovery unit
- One chassis
- Centrifugal slurry pump
- Hydrocyclone
- Collection tank
- 8 X 4 dewatering screen
- Produce one grade of sand
- Designed to work in conjunction with the Terex Washing Systems Range

FEATURES AND ADVANTAGES

- Underflow rubber lined slurry pump
- One rubber lined hydrocyclone which classifies at approximately 75µm (200 mesh)
- Self regulating cyclone tank complete with built in float system and anti-turbulence sections
- High frequency 2.4m x 1.2m (8' x 4') dewatering screen fitted with polyurethane modular mats
- Maximum recovery of material above 75µm (200 mesh)
- Removes silt, slimes and clays below 75µm (200 mesh)
- Removes water following dewatering operation to 10–15% of residual water content
- Major reduction in saleable material discharging to the pond, thus reducing pond maintenance and saving money
- Heavy-duty robust construction ideal for rugged operating environment
- Low maintenance
- All wear areas rubber lined
- Walkway and access ladder
- Quick assembly time
- Broken down into one 40' container for transport
- Approx 40-60 tph

APPLICATIONS

- All forms of concrete, mortar and asphalt sands
- Quarry dust / crushed fines
- Lake and beach sands
- Silica sand for glass industry
- Golf course sands
- Filter bed sands
- Recycled materials
- Iron ore
- Most materials which need to be washed

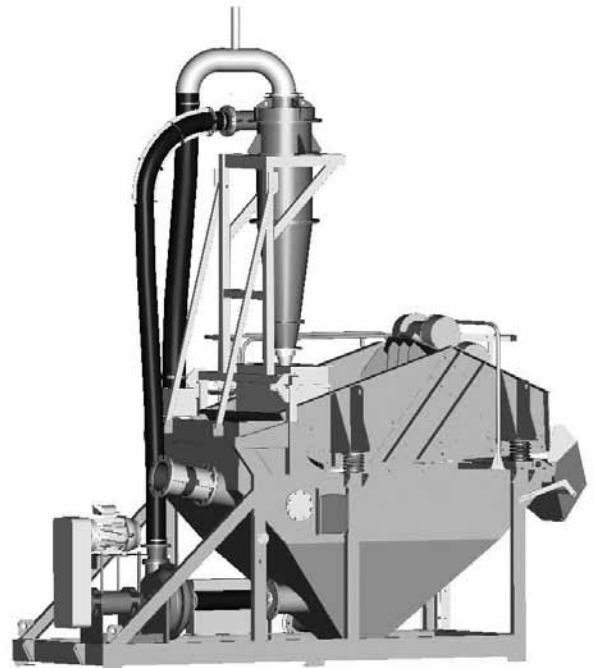
OPTIONS

- Boiler box for dry feed
- Electrical control panel
- Spraybars on dewatering screens

SPECIFICATIONS

TECHNICAL DIMENSIONS

WORKING LENGTH	5.55m (18'2")
WORKING WIDTH (INC WALKWAY)	2.70m (8'9")
WORKING HEIGHT	5.80m (19')
FEED HEIGHT	1.77m (5'6")
PRODUCT DISCHARGE HEIGHT	1.30m (4'2")
WASTE WATER DISCHARGE	2.40m (7' 10")
OVERFLOW DISCHARGE	1.50m (5')
TOTAL WEIGHT (EMPTY)	5500kg (12500lb)
TOTAL WEIGHT (WORKING)	12500kg (27600lb)



CYCLONE

One G4 500 hydrocyclone

Spigot discharge

All wear areas rubber lined

Underflow collection box

Pressure flange with pressure gauge and protector

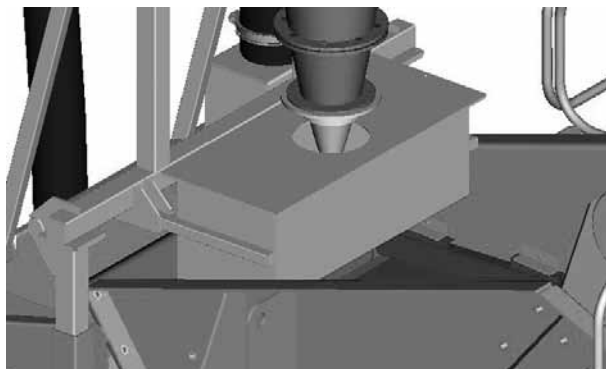
150mm (6") rubber lined slurry delivery hose



Rubber lined sealed slurry transfer pipe complete with heavy duty clamps



Rubber lined spigot



Full width underflow distribution box giving even feed to the screen

CENTRIFUGAL PUMP

Size 150/125mm (heavy duty rubber lined)

Motor 18.5kW (25hp) (ip55 enclosure)

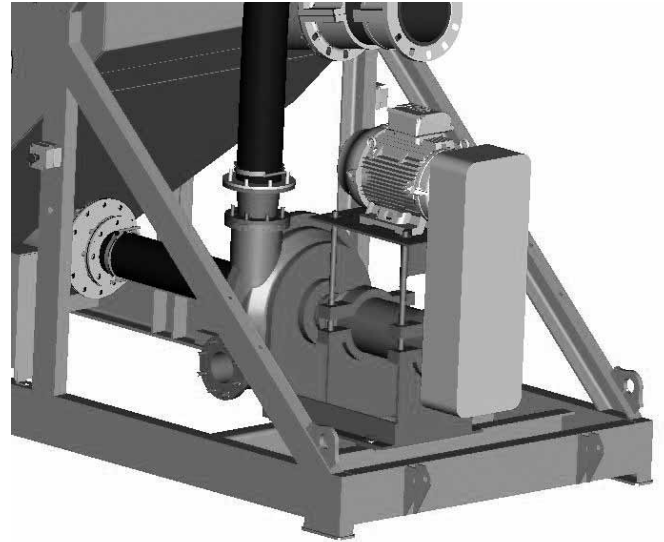
Pump capacity 190m³

Max working pressure 6 bar

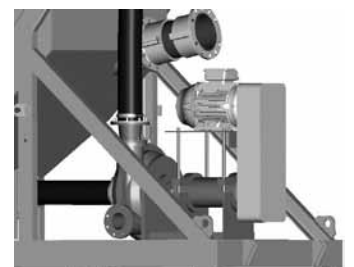
Abrasion resistant liners

Moulded rubber impeller

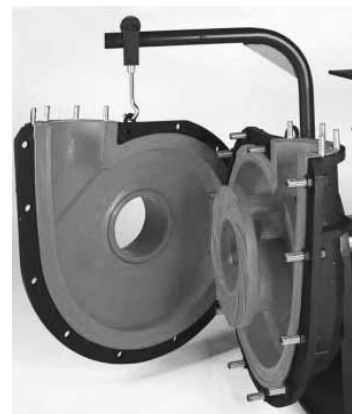
Excellent serviceability



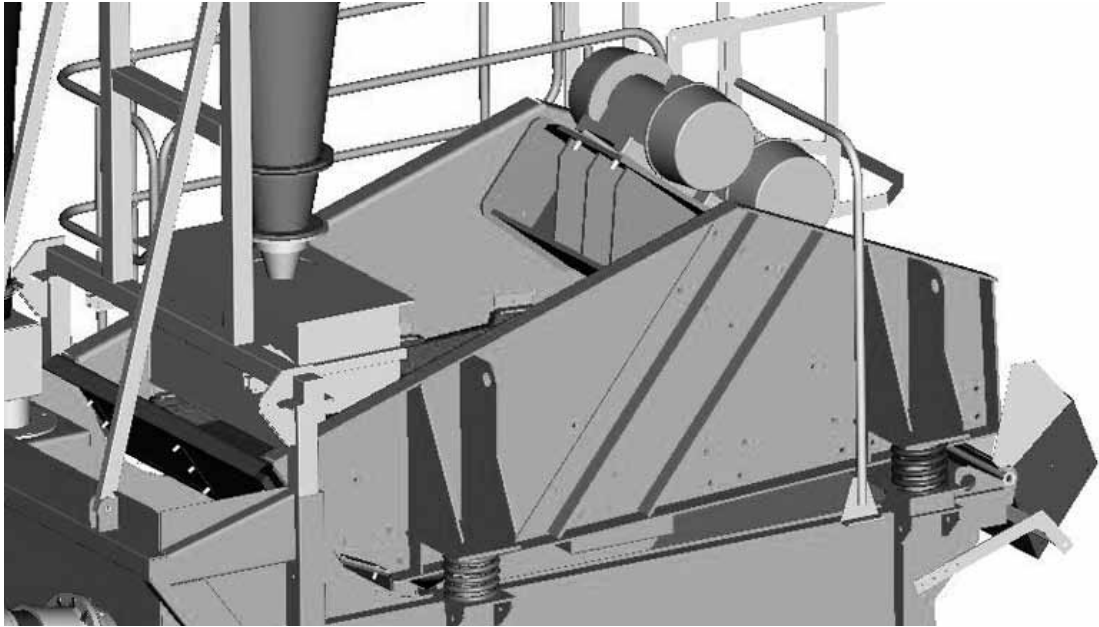
Pump drain for cold climate applications



Easy access for ease of maintenance



Fully rubber lined for increased wear life



DEWATERING SCREEN

Size 2.4m x 1.2m (8' x 4')

Vibratory motors 3kW (4hp)(2off) 960rpm

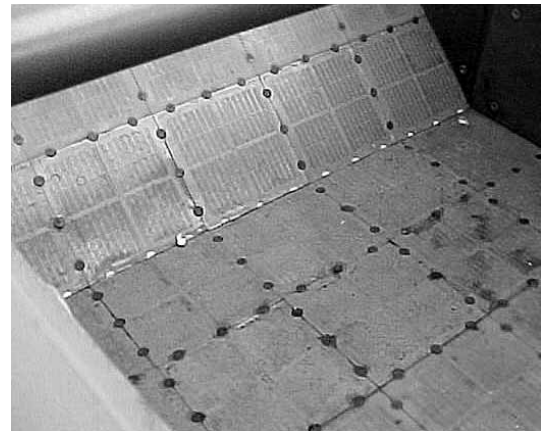
Screen aperture 0.5mm

Exceptional dewatering performance

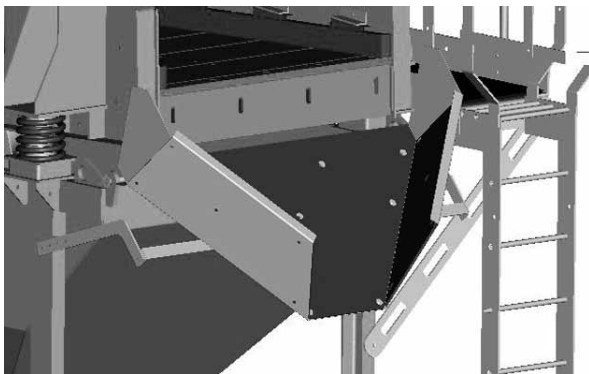
Modular screen decks

Side protection liners

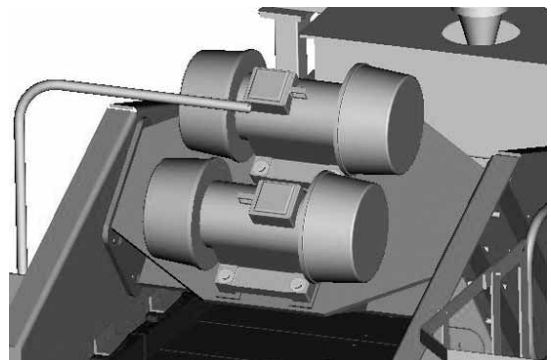
Rubber lined discharge chute



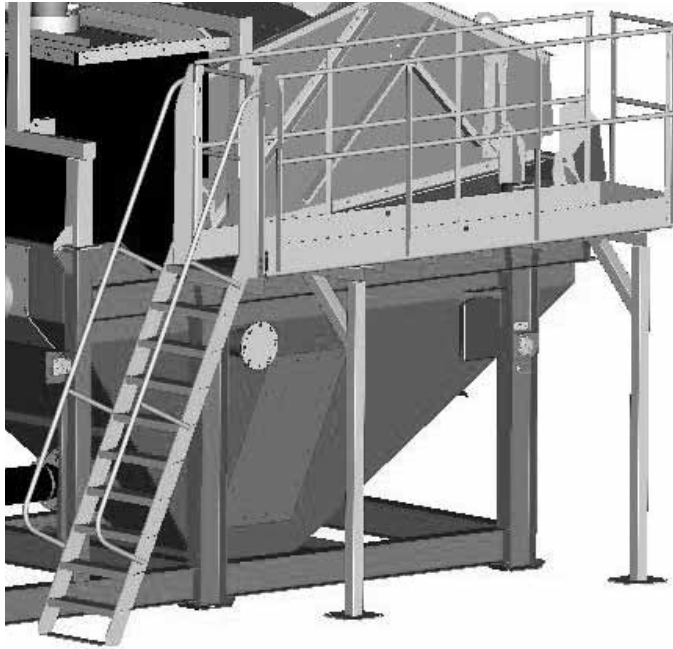
0.5mm panels fitted to screen



Rubber lined chute



Low noise vibrating motor



CHASSIS

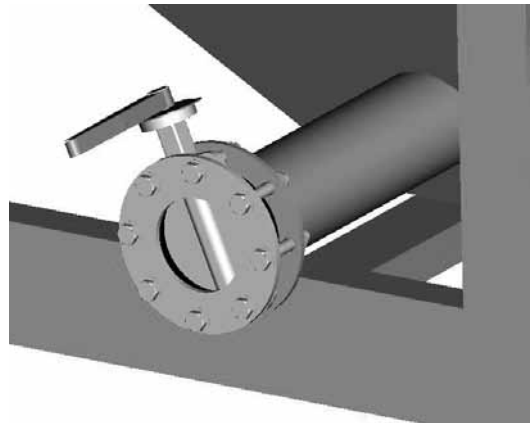
Self regulating cyclone tank complete with built in float system

Build in anti-turbulence sections

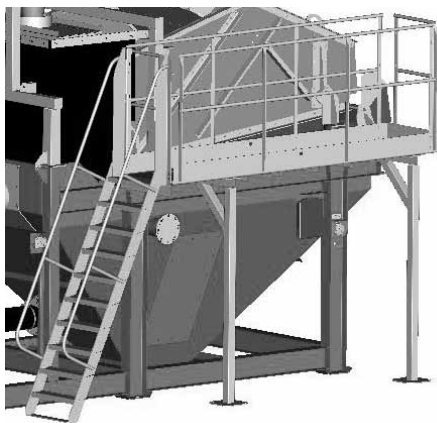
Heavy duty steel construction

Easy access to serviceable areas

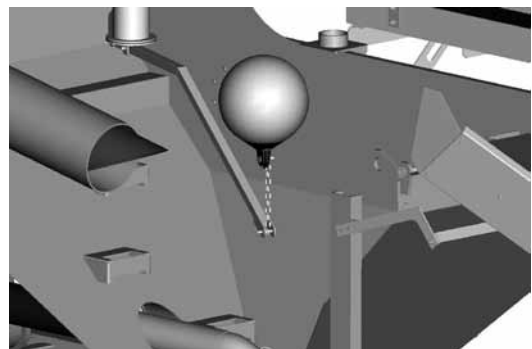
Access steps and walkway for ease of maintenance



Integrated tank drains for ease of maintenance



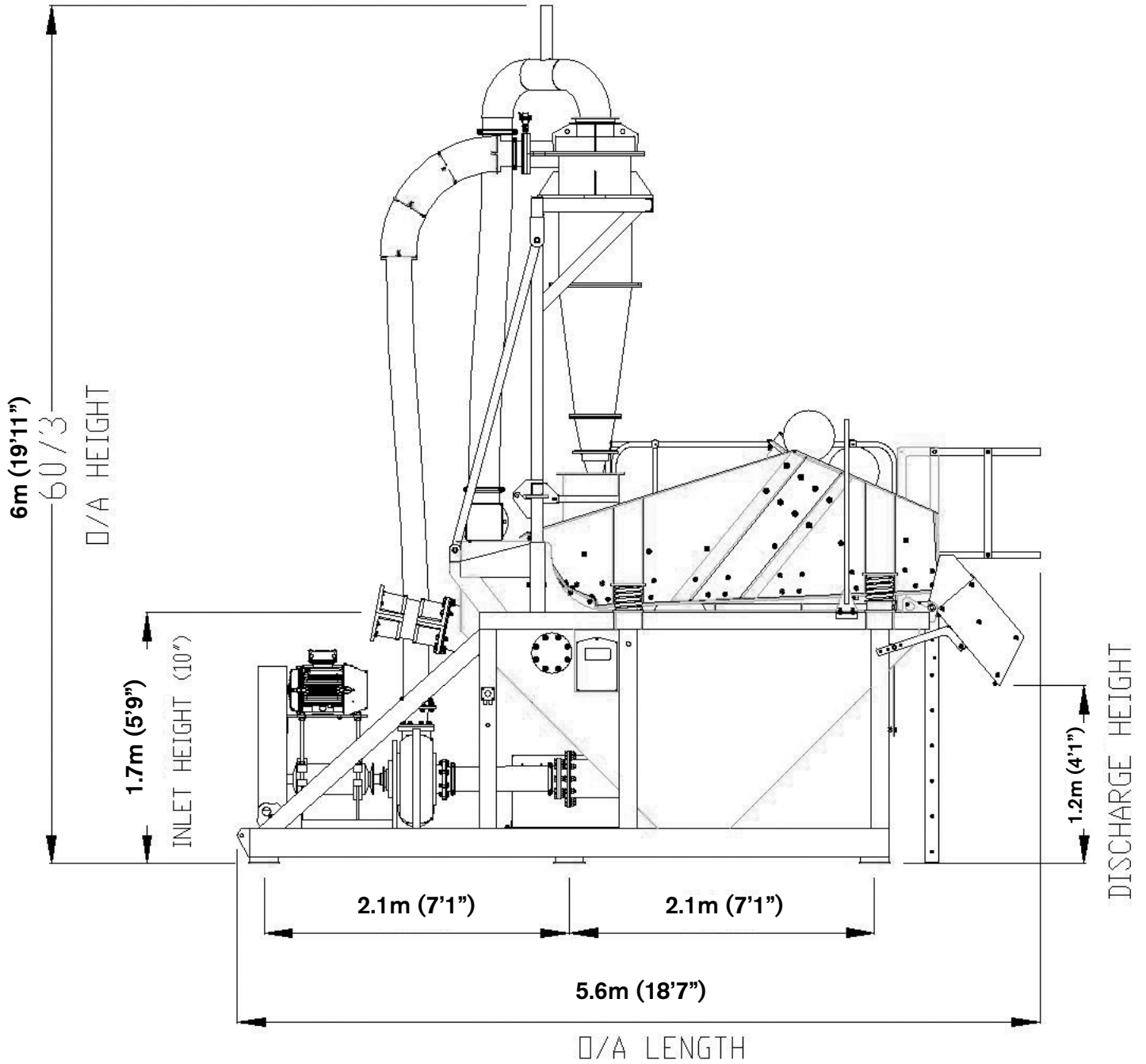
Access steps and walkway for ease of maintenance.



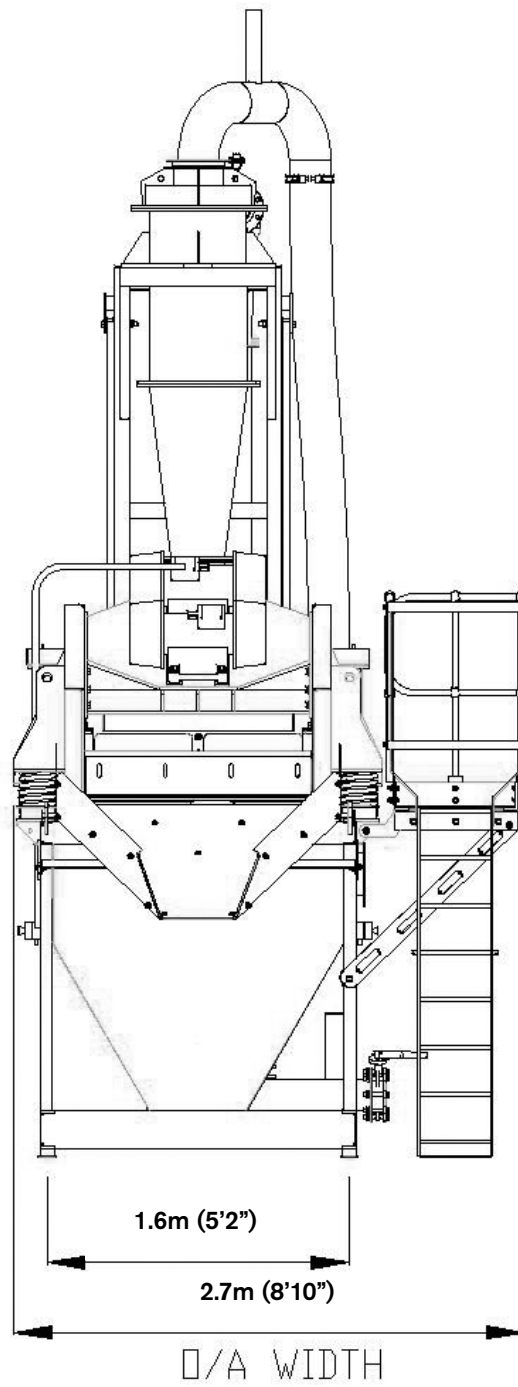
Float system for self regulation of tank water level

DIMENSIONS

FM 60 C - WORKING DIMENSIONS



FM 60 C - WORKING DIMENSIONS



TEREX WASHING SYSTEMS CONTACT DETAILS

Dungannon Site

200 Coalisland Road
Dungannon
Co. Tyrone
Northern Ireland
BT71 4DR
Tel: +44(0) 28 8771 8500

Email: TWS.sales@terex.com

www.terex.com/washing

You  Tube

Check out Terex Washing Systems videos
on YouTube: www.youtube.com/terexwashingsystems



www.facebook.com/TerexCorporation



Effective Date: July 2012 Product specifications and prices are subject to change without notice or obligation. The photographs and/or drawings in this document are for illustrative purposes only. Refer to the appropriate Operator's Manual for instructions on the proper use of this equipment. Failure to follow the appropriate Operator's Manual when using our equipment or to otherwise act irresponsibly may result in serious injury or death. The only warranty applicable to our equipment is the standard written warranty applicable to the particular product and sale and Terex makes no other warranty, express or implied. Products and services listed may be trademarks, service marks, or trade names of Terex Corporation and/or its subsidiaries in the USA and other countries. All rights are reserved. Terex is a registered trademark of Terex Corporation in the USA and many other countries. © 2010 Terex Corporation.



TEREX®

WORKS FOR YOU.™