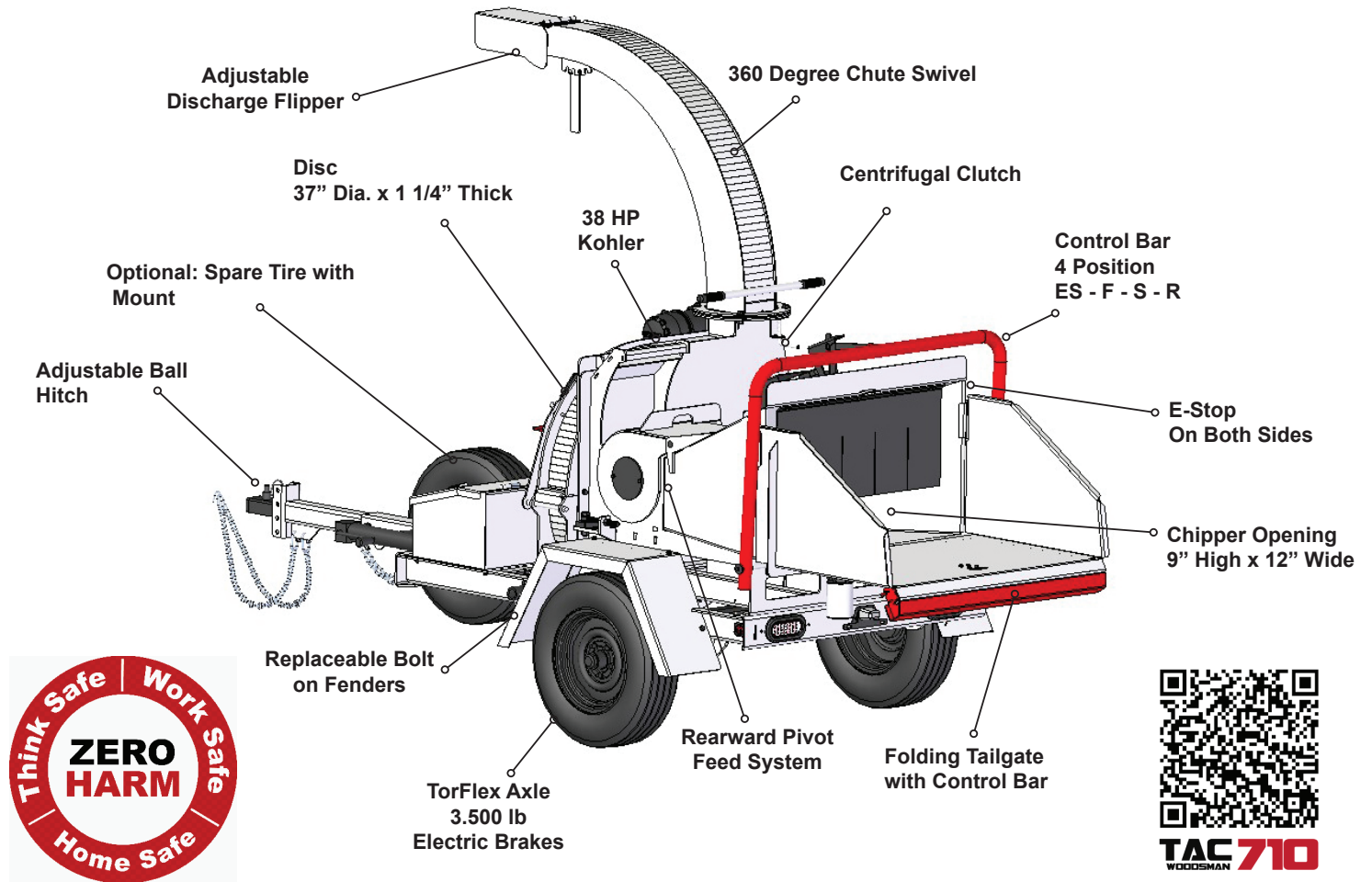




TEREX®

ENVIRONMENTAL EQUIPMENT

TECHNICAL SPECIFICATIONS



TAC 710
WOODSMAN

TAC 710 Brush Chipper Specifications

9" Capacity Towable Disc Chipper, Hydraulic Feed Roll, Top Discharge

SPECIFICATIONS

Operating Weight	2800 lbs
Chipping Capacity	9"
Gross Engine Power	38hp
Engine Options	Kohler

FEATURES

Disk Size	37" diameter x 1.25" thick disk
Infeed Opening	9" high x 12" wide chipper opening
Feed Control	Standard autofeed governor
Chute Rotation	360 degree swivel discharge

DIMENSIONS

Width	64"
Height	92"
Length (Operating)	161-5/16th"
Length (Transport)	136-5/16th"

Engine

- ▶ Make/Model: Kohler Command Pro 38
- ▶ Gross hp: 38hp (20kW) @ 3600 rpm
- ▶ Torque: 42.7 ft-lb (54 Nm) @ 3000 rpm
- ▶ Fuel: Gas
- ▶ Cylinders: 2

Capacities

- ▶ Fuel Tank: 10 gal
- ▶ Hydraulic tank: 10 gal

Cutting System

- ▶ Disc Size: 37" dia. x 1.25" width
- ▶ Disc Speed: 1132 rpm
- ▶ Knives: (4) Single Sided 3/8" x 4" x 7-3/16"
- ▶ Anvil: 4 edges, 3/4" A8 Steel

Feed System

- ▶ Infeed Opening: 9" x 12"
- ▶ Feed Table Height: 30"
- ▶ Feed Table Length: 64"
- ▶ Feed Roller: 12-1/4" x 11-7/8" wide
- ▶ Infeed Rate: 120 fpm (fixed)

Discharge System

- ▶ Discharge Height: 92" (233.68 cm)
- ▶ Chute Rotation: 360°

Chassis

- ▶ Frame: 1/4"
- ▶ Tongue: 3" x 3" x 1/4" wall (7.62 cm x 7.62 cm x 0.635 cm wall)
- ▶ Tongue Extension: 12" (30.48 cm)
- ▶ Hitch Type: 2" (5.08 cm) Ball Coupler
- ▶ Wheels: 14" wheel (5 on 4.5)
- ▶ Tires: 185/80R14
- ▶ Axle: 2000lb (907 kg) torsion axle

Hydraulic

- ▶ System Type: Open Center
- ▶ Filtration: 10 Micron
- ▶ Pump: 6 gpm (22.36 L/min)
- ▶ System Relief: 2500 psi (172.37 bar)

Electrical

- ▶ System Voltage: 12V
- ▶ Lights: Turning, license, brake, tail and side marker

Safety System

- ▶ Top / Side Safety Bar: 2" Dia. (5.08 cm Dia.)
- ▶ Positions: Forward, Neutral and Reverse
- ▶ Actuation Force: 35 lbs

www.terex.com/environmental-equipment

Product specifications and prices are subject to change without notice or obligation. The photographs and/or drawings in this document are for illustrative purposes only. Refer to the appropriate Operator's Manual for instructions on the proper use of this equipment. Failure to follow the appropriate Operator's Manual when using our equipment or to otherwise act irresponsibly may result in serious injury or death. The only warranty applicable to our equipment is the standard written warranty applicable to the particular product and sale and Terex makes no other warranty, express or implied. Products and services listed may be trademarks, service marks or trade-names of Terex Corporation and/or its subsidiaries in the USA and other countries. All rights are reserved. Terex is a registered trademark of Terex Corporation in the USA and many other countries.



TEREX®

TAC Woodsman 710

