



TEREX®

ENVIRONMENTAL EQUIPMENT

TECHNICAL SPECIFICATIONS



TAC Woodsman 730 Brush Chipper Specifications

13" Capacity Towable Chipper, Reverse Auto Feed Governor, Top Discharge

SPECIFICATIONS

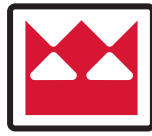
Operating Weight	5,200 lbs
Chipping Capacity	13"
Gross Engine Power	84-99 hp
Engine Options	Kubota
	Caterpillar
	John Deere
	Cummings

FEATURES

18" wide by 24" diameter full pocket cutting drum
13" high by 18" wide chipper opening
Programmable reverse auto feed governor
Hydraulic lift and crush on feed wheel
300 degree hand crank swivel discharge

DIMENSIONS

Width	74"
Height	105"
Length (operating)	212.13"
Length: (transport)	185"



TEREX®

TAC Woodsman 730

ENGINE / DRIVE

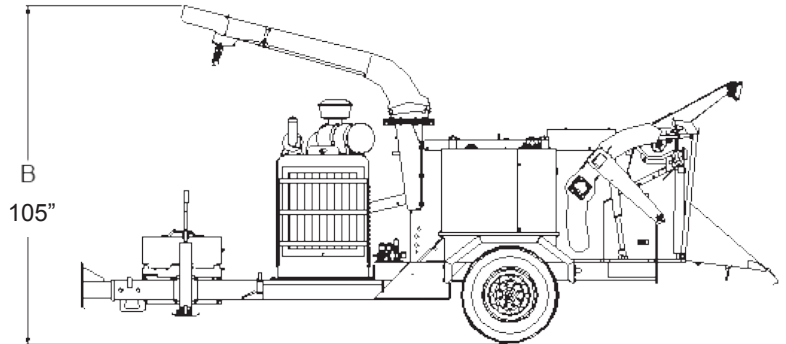
Make/Model:	Kohler V3 Series
Max hp:	84.5 hp @ 2,600 rpm
Max Torque:	60.7 ft-lb @ 2,400 rpm
Fuel:	Diesel
Cylinders:	4
Fuel Tank Capacity (gl):	19
Oil Capacity (qt):	13.9
Cooling Medium:	Liquid
Coolant Capacity (gl):	3.5
Drive:	PTO Clutch / Belt

CUTTING SYSTEM

Drum Size:	24" dia. x 18" width
Drum Speed (rpm):	1,673.75 rpm
Knives:	(2) Double Edged Full Pocket
Anvil:	4 edges, 1" Steel
Drum Safety Lock Positions:	2

FEED SYSTEM

Infeed Opening:	13" x 18"
Feed Table Height:	25"
Feed Table Length:	70"
Feed Wheel Diameter:	14.125
Feed Wheel Length:	18"
Feed Wheel Spring Clamp Force Avg. (lbf):	501.83
Feed Wheel Hyd. Lift & Crush (lbf):	2,817.61
Feed Rate (fpm):	129.06
Motor Displacement (cu. In.):	29.8 cu. in.
Feed Control:	4 Position Bar w/ Autofeed Governor
Bar Actuation Force (lbs.):	-
Bar Positions:	E-Stop, Forward., Stop & Reverse
Yoke Safety Lock Position:	1

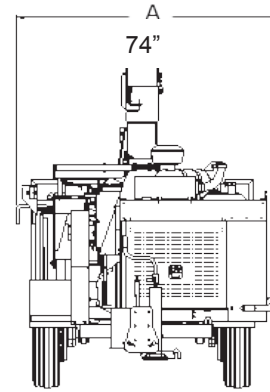


FEED SAFETY SYSTEM

Bottom Feed Stop Bar:	10 Ga. Steel
Bar Actuation Force (lbs.):	34
Reset Method:	Momentary Push Button
E-Stops (Infeed Sides):	Push / Pull Knob

DISCHARGE SYSTEM

Discharge Height:	105.5"
Chute Rotation:	300°
Rotation Type:	Manual (Standard Latch)
Height Adjustable:	3 Position



CHASSIS

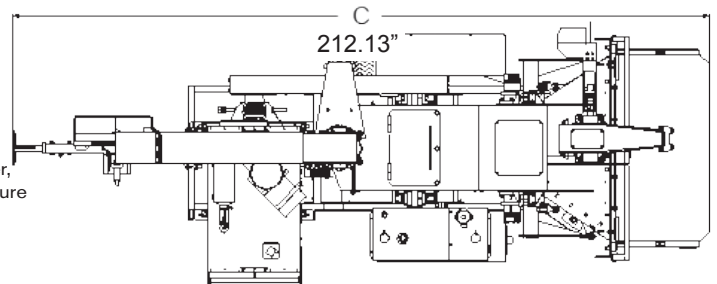
Frame:	1/4" Steel
Hitch Type:	3" PINTLE
Tool Box:	No
Wheels:	-
Tires:	LT 245/75R16
Axle:	6,000 lb torsion axle
Brakes:	Electric w/Breakaway Switch

HYDRAULIC

System:	Open Center
Hydraulic Tank Capacity (gl):	12
Filtration:	10 Micron
Pump (gpm):	4.5
System Relief (psi):	2,500

ELECTRICAL

System Voltage:	12V
Battery:	12V 800 CCA
Lights:	Turning, license, brake, tail & side marker, fuel, hour, voltage, water temp. oil pressure Tachometer, Multifunction Display
Standard Gauges:	High Temperature, Low Pressure
Shutdown System:	



WEIGHTS

Tongue Weight (lbs):	-
Operating Weight (lbs.):	5,200

DIMENSIONS

Width:	74"
Height:	105.5"
Length:	212.13"
Transport Length:	185"

www.terex.com/environmental-equipment

Product specifications and prices are subject to change without notice or obligation. The photographs and/or drawings in this document are for illustrative purposes only. Refer to the appropriate Operator's Manual for instructions on the proper use of this equipment. Failure to follow the appropriate Operator's Manual when using our equipment or to otherwise act irresponsibly may result in serious injury or death. The only warranty applicable to our equipment is the standard written warranty applicable to the particular product and sale and Terex makes no other warranty, express or implied. Products and services listed may be trademarks, service marks or trade-names of Terex Corporation and/or its subsidiaries in the USA and other countries. All rights are reserved. Terex is a registered trademark of Terex Corporation in the USA and many other countries.