

# 984



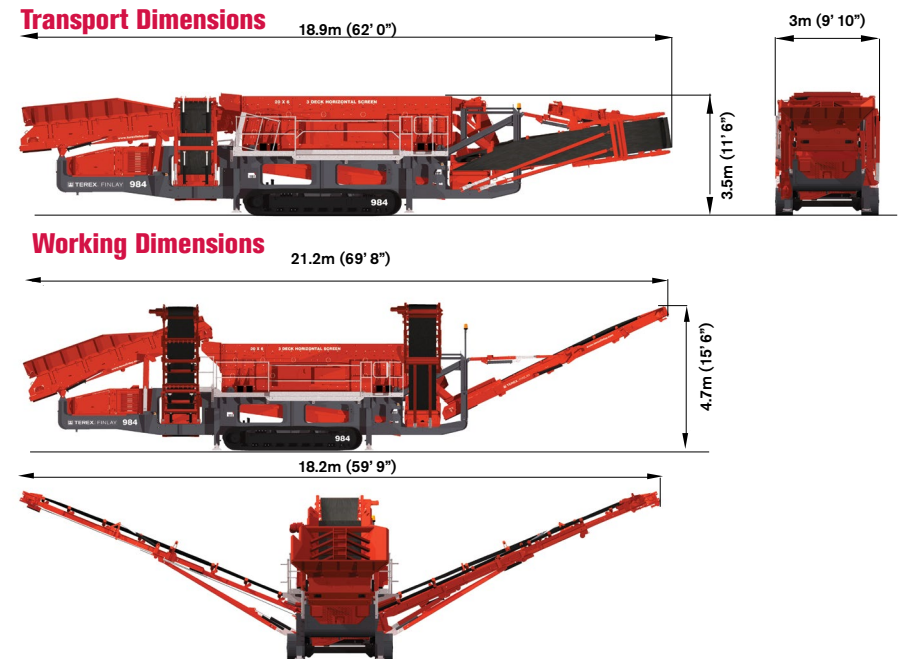
The Terex Finlay 984 is a high performance horizontal 3 deck screener that is easy to set up, versatile and ideal for handling large volumes of material in quarrying, mining and recycling applications.

Incorporating the proven 6100mm x 1930mm (20' x 6'4") Terex Cedarapids 6203 triple shaft screen for screening four product sizes of products maximising throughput and profitability. The adjustable elliptical throw of the three deck screen combines linear and circular amplitude to produce and aggressive screening action that reduces plugging and increases quality output.

The 4 on-board product conveyors provide generous stockpiling capacity and fold hydraulically into one of the smallest transport envelopes for this class of machine.

## Features:

- ▶ The innovative patented hydraulic folding conveyors system enables compact transport envelope width of only 3000mm (9' 10").
- ▶ The innovative oval-throw action makes the horizontal screen virtually non-plugging.
- ▶ The ability to fine tune stroke angle, amplitude and speed of the screenbox allows throughput of materials up to 800tph.



Maximum Plant Capacity:	Tph**	Sph**
	800	882

\*\*Material is based on pit run sand / gravel with bulk density 1.6T/m<sup>3</sup>. Screening capacity depends on mesh sizes and relates to dry screening in optimal material conditions.

Machine Weight: 43,230Kg (95,300lbs)\* \*Standard Machine configuration



# Horizontal Screener