



PORTAFILL 5000CT TECHNICAL SPECIFICATION

SCREEN

- Bolted, 2 Deck, 2 Bearing High Vibration Screen
- 3200 (10'6") x 1200 (4')

FEEDER CONVEYOR/HOPPER

- 1000mm (40") Wide Belt
- Variable Speed
- Hopper Volume 4m³ (Approx.)
- Hydraulically Lowering Hopper Sides for Transport

WING CONVEYOR MID SIZE

- 750mm (30") Wide Chevron Belt
- Discharge Height 2880mm (9'5")
- Variable Speed

WING CONVEYOR FINES

- 750mm (30") Wide Belt
- Discharge Height 2880mm (9'5")

OVERSIZE CONVEYOR

- 1000mm (40") Wide Belt
- 2in1 Conveyor for Mixing Oversize and Midsize Product
- Discharge Height 2638mm (8'8")
- Variable Speed

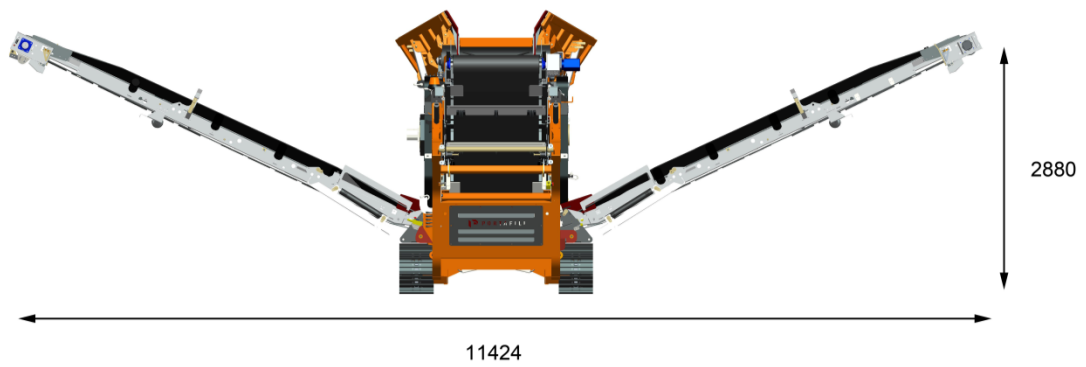
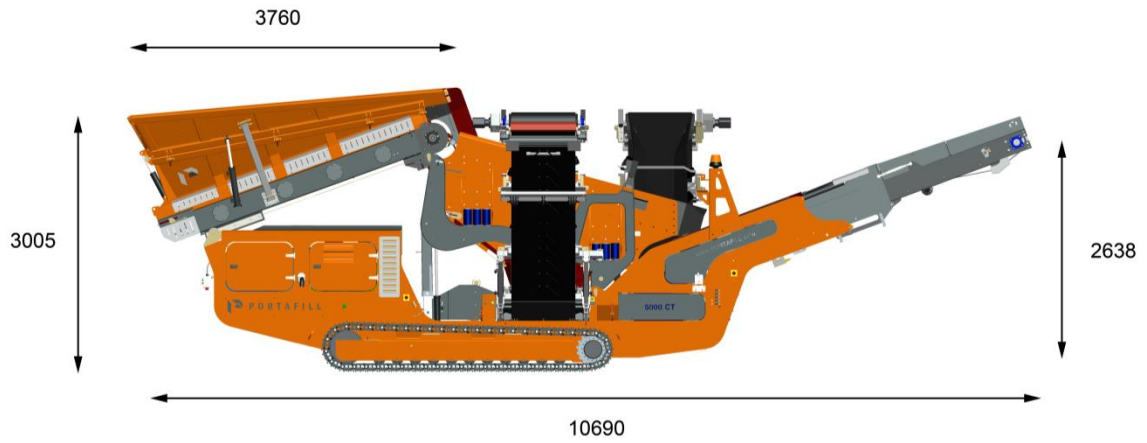
POWER

- Deutz D2011 L04I (EU Stage IIIA, EPA Tier 3) Diesel 36Kw – 49HP
- Optional Deutz TD2.9 L4 (EU Stage IIIB, EPA Tier 4i) Diesel 50Kw – 67HP
- 100Ltr Capacity Diesel Tank
- 380Ltr Hydraulic Tank
- Typical Fuel Consumption 4-5 Litres per hour (1 US Gallon per hour)

**All drawing dimensions approximate and in millimetres. Portafill International reserves the right to alter the specification of these machine without notice.*



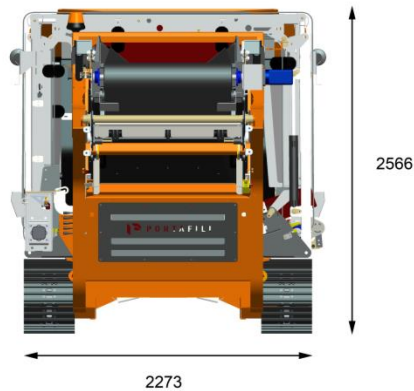
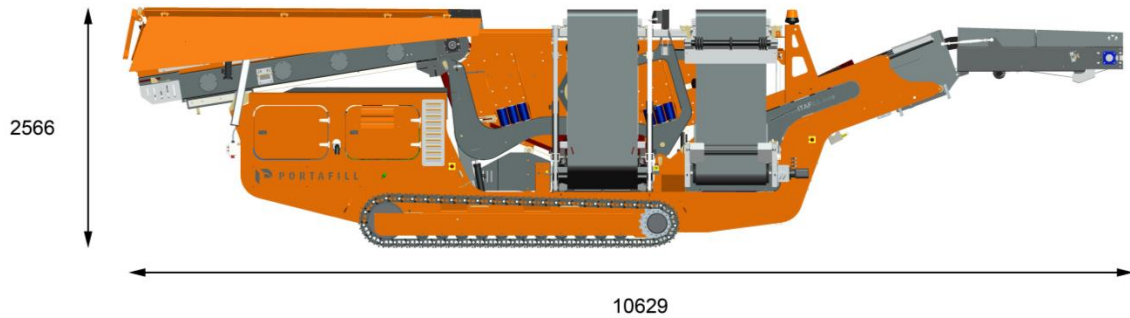
Working Dimensions 5000CT



**All drawing dimensions approximate and in millimetres. Portafill International reserves the right to alter the specification of these machine without notice.*



Transport Dimensions 5000CT



Transport Dimensions

- Transport Height 2567mm (8'5")
- Transport Width 2273mm (7'5")
- Transport Length 10629mm (34'10")

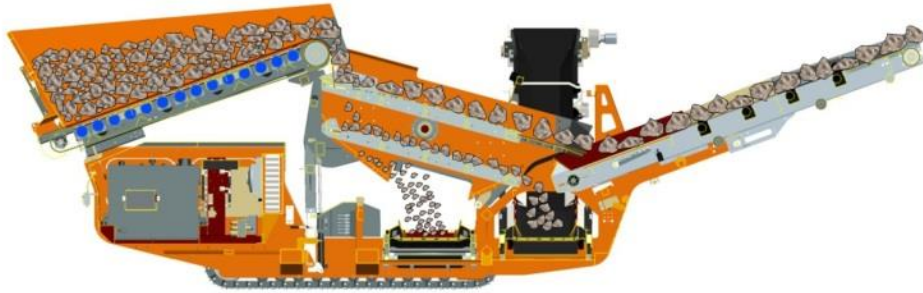
Weight

- 13,000kgs (Approx.)

**All drawing dimensions approximate and in millimetres. Portafill International reserves the right to alter the specification of these machine without notice.*



Portafill 5000CT 2in1 Conveyor



In the standard configuration the screened material is split 3 ways. With the oversize, midsize and fines all stockpiled into three separate piles of material.



However with 30 seconds and without the need to de-assemble any part of the machine the oversize conveyor can be retracted so that this conveyor captures both the midsize and oversize product. The combined product is then stockpiled out the front oversize conveyor.

**All drawing dimensions approximate and in millimetres. Portafill International reserves the right to alter the specification of these machine without notice.*