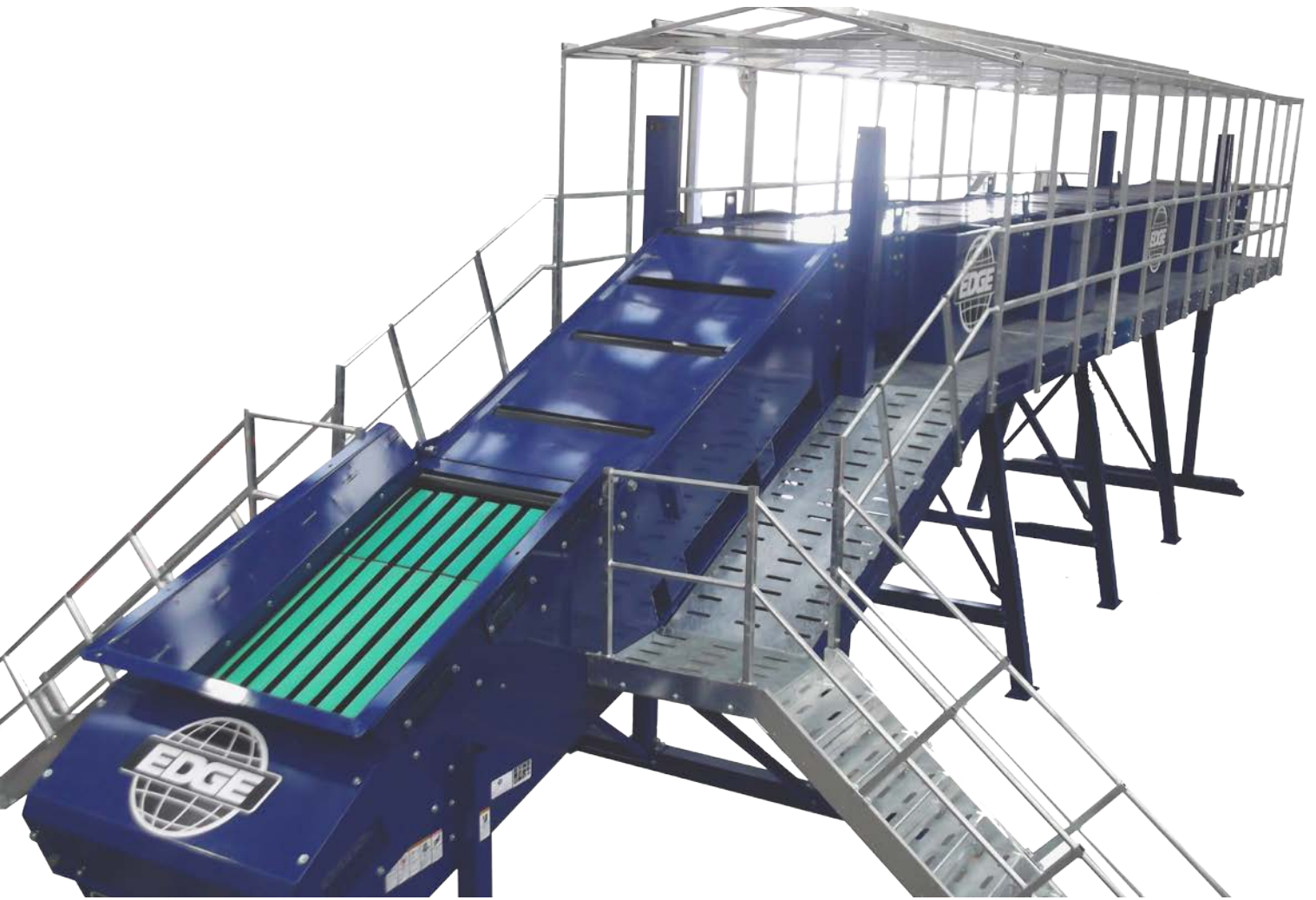




Innovation at Work

EDGE MPS48 SERIES



designengineeringinnovation



MOBILE. MODULAR. PICKING STATION.



PRODUCT

HIGHLIGHTS



KEY HIGHLIGHTS

Choose from 1-16 Picking Modules

Add or remove bays at ease to fit any situation.

Can be fed by any primary, secondary Crusher, Screener or Trommel.

Can meet the customer demands by not limiting the number of bays they can choose.

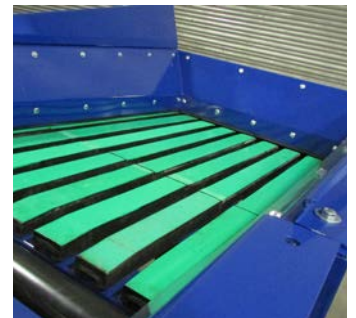
Heavy duty input section with impact bars and feedboot with additional support legs.

Innovative "Sea-Can friendly" design for global export.

Flexible heights to suit a range of skips/ bins below platform.

Belt widths from 36" (900mm) - 48" (1200mm) available.

The ONLY fully modular Picking Station on the market ...



The EDGE Modular Picking Station is the most robust, durable, long lasting and user-friendly Picking Station on the market today. It boasts a range of features that makes it very popular with Transfer Stations, Skip Hire companies, Waste handling Depots etc.

The MPS has been uniquely designed so that Picking Bays can easily be added or removed in line with changing customer requirements. This unique feature enhances the versatile nature of the MPS meaning it can fit pretty much any scenario!

Designed and built with a range of applications in mind, the MPS48 can be fitted with a multitude of options such as roofing, lighting, insulated air conditioned enclosures with windows and heating, air Separators, over-band magnets, etc.

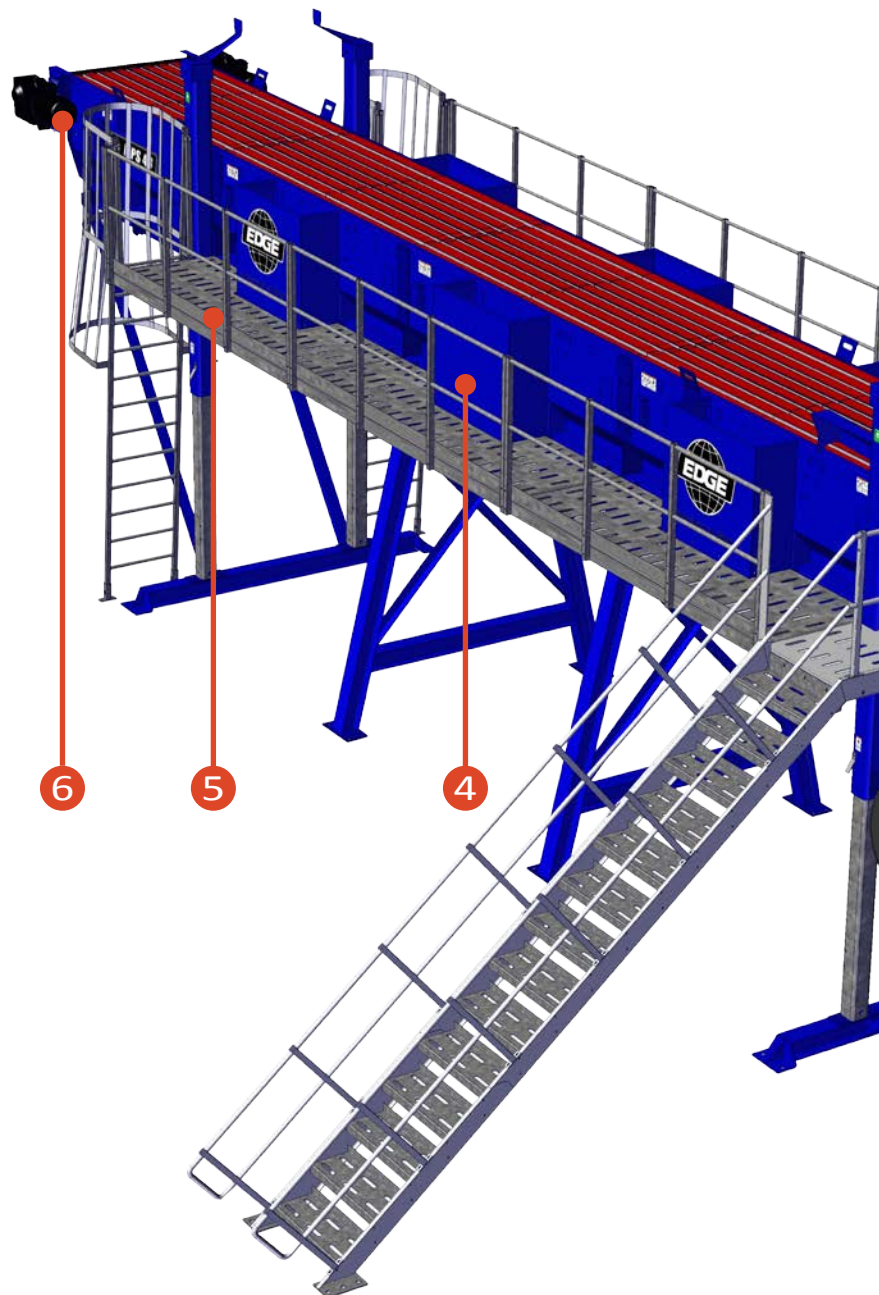
Essentially the Edge Picking Station can be tailored to your needs. The EDGE Design Team has engineered the MPS48 for "sea-can friendly" transportation meaning it can be shipped anywhere in the world.

DESIGN FEATURES

EDGE Innovate have worked tirelessly to ensure our products are of the highest quality. We only ever use parts and products that have been developed, tested and proven to provide optimal performance and reduce operating and maintenance costs. Every part is vital for uptime and performance.

APPLICATIONS

-  Construction and Demolition waste
-  Municipal Solid Waste
-  Commercial and Industrial Waste
-  Domestic and Household Waste
-  Wood waste



CONVEYOR HEAD SECTION

- Various options are available for operators including two different power-source types with the option of hydraulic or electric direct drive.
- An Over-band magnet to reclaim ferrous metals along with walkway access are also available.



1 CONTROL PANEL

- Control panel consisting of a XPS emergency stop relay, pre-start siren circuit, test/off/manual keyswitch, isolator switch, speed adjustment and a hour run counter display
- Supplied along with associated test certificate and control panel diagrams.



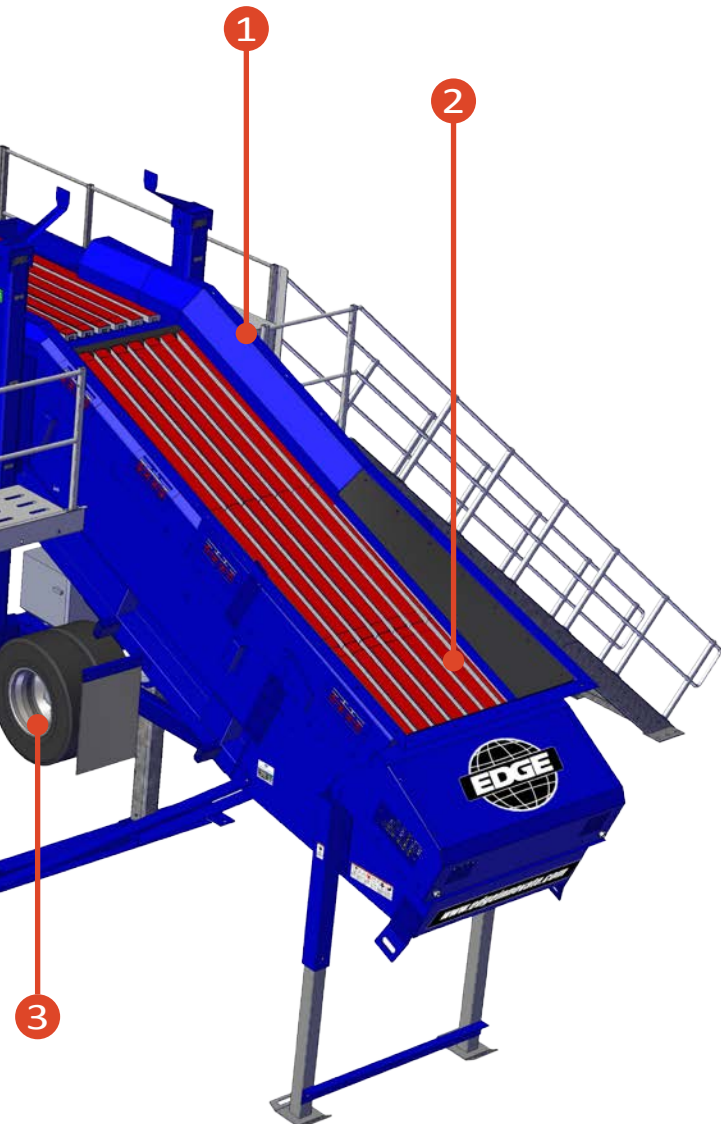
2 FEEDBOOT

- Heavy duty input section with impact bars and a feedboot capacity of 1.3m³ (1.7yds).
- A 1200mm (48") wide belt provides an even spread of material allowing for a better presentation of commodities to the pickers.
- Impact bars absorb the impact of the feed material prolonging the lifetime of the belt.



3 BRAKING AXLE

- Recommended for those operators with multiple sites.
- Consisting of tandem wheels and air brakes, the MPS48 can be transported from site to site.
- Option of a diesel/hydraulic power-source can be fitted to axle chassis.



4 MODULAR PICKING BAY

- The modular design allows for customers to increase bay and picking capacity as and when needs require.
- Built to last, the MPS48 is constructed using heavy duty side plate with a side frame depth of 1050mm (42").



5 WALKWAYS

- Design to meet all safety legislation, we offer various walkway options and configurations
- Ladder access and head section platforms are also available



ADDITIONAL OPTIONS

Diesel Hydraulic



CAT2.2 Deisel/Hydraulic powerunit with a fuel consumption of 9.48ltr/Hr (2.5USG)

Direct Electric



Various direct electric drive motors including single or twin

Diesel Genset



Provides operators with two running options. Grid electric power or diesel generator

SHP Engine



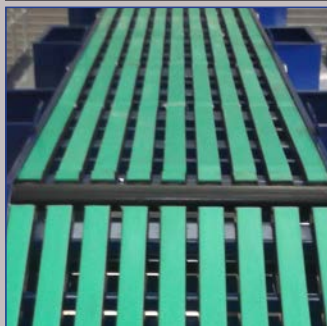
8HP engine option available to raise and lower hydraulic jacklegs to desired height

Electric Panel



Electric panel available with speed adjustment, emergency stop relay and pre-start siren circuit

Full Length Impact Bars



Recommended for heavy applications such as aggregates and C&D waste

Hydraulic Jack Legs



Available with or without diesel engine to enable quick transition from transport to operational mode.

Over-Band Magnet



Head section over-band magnet with stainless steel chute to extract ferrous metal

Air Knife



Air knife consisting of a 18.5KW motor. A lights cage is recommended along with this option

Enclosed Cabin



Enclosed cabin with lights, windows, heat or or air conditioning available

Roof Frame



Roof module allowing for single skin cladding to be attached

Air Brakes



Air brakes recommended for operators with multiple sites



TECHNICAL SPECIFICATIONS

Machine	Conveyor Length	Belt Width	Picking Bins	Tonnage	Discharge Height
3 Bay	16.3m (53'5")	1200mm (48")	6	Up to 100 TPH (110USG)	2.9m (9'5")
4 Bay	23.4m (59'9")	1200mm (48")	8	Up to 100 TPH (110USG)	2.9m (9'5")

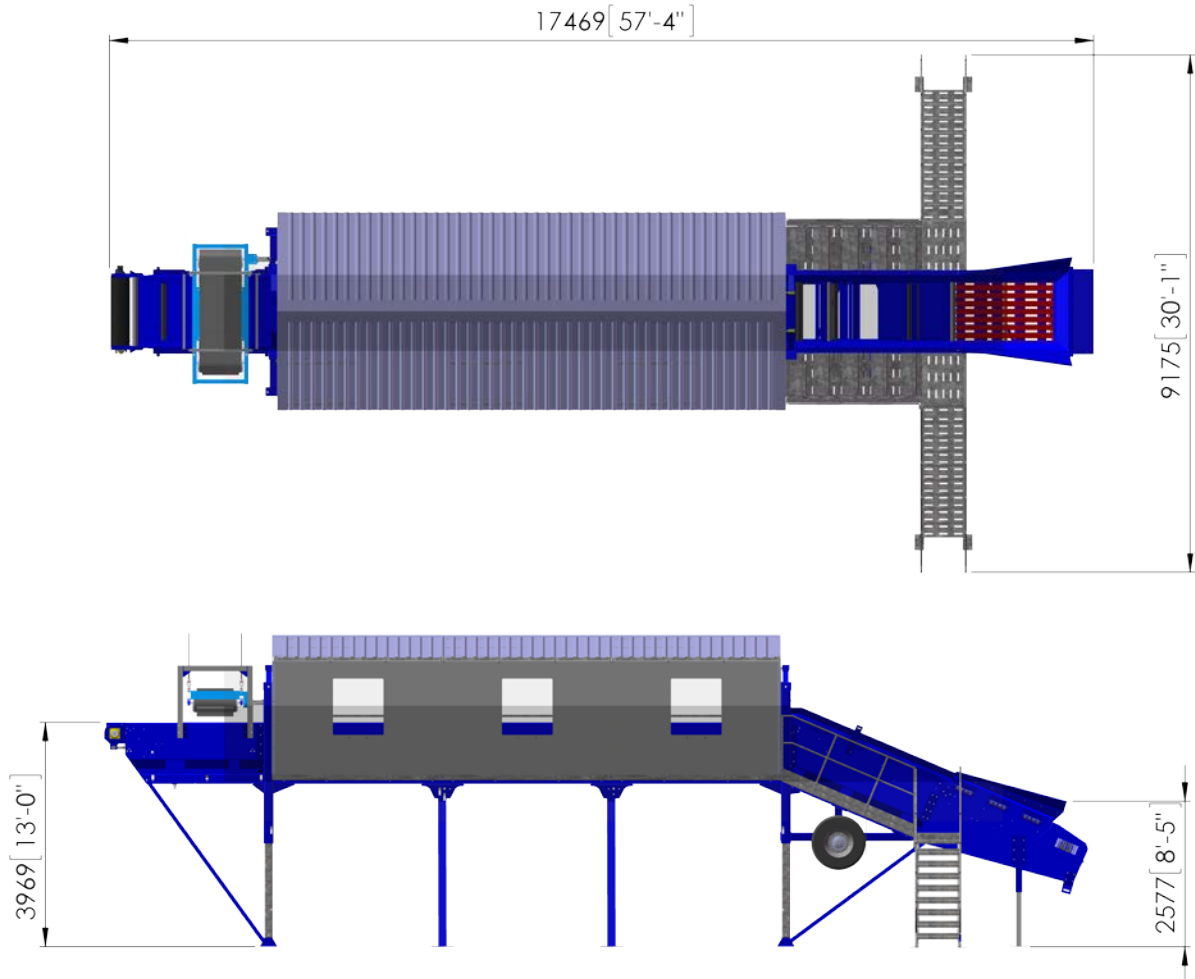
TRANSPORT DIMENSIONS

Machine	*Weight	Height	Length	Width
3 Bay	11 Tonnes (12UST)	2.8m (9'2")	15.3m (50'5")	2.3m (7'7")
4 Bay	12 Tonnes (13.2UST)	3.3m (10'10")	18.2m (59'9")	2.3m (7'7")

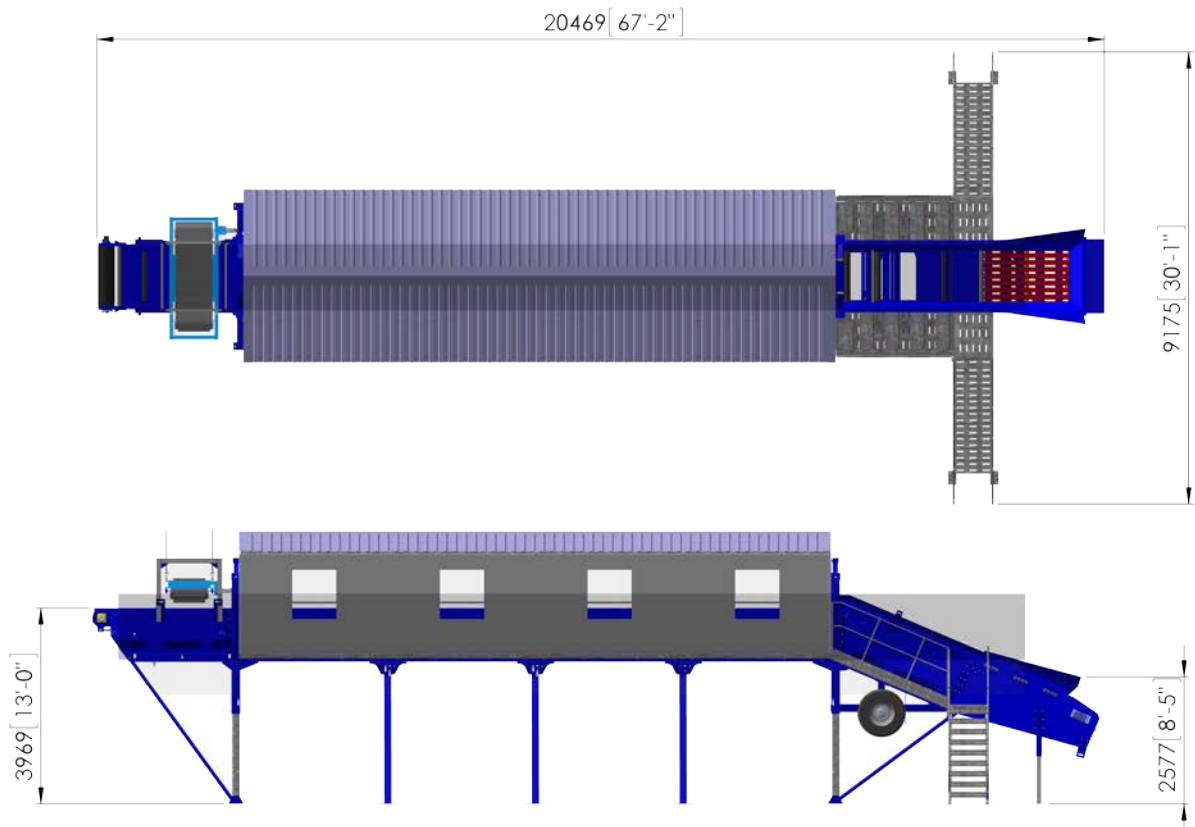
OPERATING DIMENSIONS

Machine	Height	Length	Width
3 Bay	2.8m (9'2")	16.3m (53'5")	3.3m (10'10")
4 Bay	2.9m (9'2")	23.4m (66'10")	3.3m (10'10")

MPS48 3 BAY OPERATIONAL DIMENSIONS



MPS48 3 BAY OPERATIONAL DIMENSIONS



WE ARE HERE WHEN IT MATTERS MOST



PRODUCT AND TECHNICAL SUPPORT

With our ethos of "Innovation at Work", EDGE not only persist in pushing the boundaries of design and manufacturing to produce hard working, quality machinery, we also bring that same ethos to our aftersales service in order to bring real benefits to customers right across the world. At EDGE we like to see the sales transaction as the start of a long-term partnership. Our goal is to offer the best customer support in the market for the lifetime of the unit. Edge has reinvested and expanded our aftersales department in order to streamline and provide the customer support we believe our customers deserve.



Top Availability

Our Aftersales Support Team are readily available for all our customer needs. We are just a call away, all day, every day.



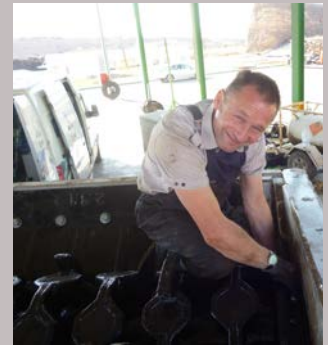
Top Speed

Express service parts available. No customer expects a long wait for replacement parts.



Top Priority

The market rightly demands quick up-time. To make sure of this, we work tirelessly with our international couriers.



Top Satisfaction

We track every despatch, keeping you informed all the way to ensure you are totally satisfied.

Welcome to our Comfort Zone...



Innovation at Work



**SPARE
AND WEAR
PARTS**

+44 (0)28 8774 0525

www.edgeinnovate.com/spares

aftersales@edgeinnovate.com

Edge Innovate's dedicated Aftersales, Spare Parts & Technical Support team, focus entirely on helping you the customer keep your machines running. We have a stock of £10m of spares in Ireland alone, along with other spare parts hubs in strategically positioned depots. Give us a call or email us today and use our stock and experience for your advantage!



Innovation at Work



MPS48 SERIES

MOBILE - MODULAR - PICKING STATION

+44 (0)28 8774 0525

www.edgeinnovate.com

info@edgeinnovate.com