

TRACKED MOBILE HEAVY DUTY SCREEN



873
f YouTube

WORKS FOR YOU.™

873

The NEW Terex Finlay 873 is ideally suited to working in aggregates, sand and gravel, top soil, construction demolition and recycling applications. This highly versatile machine can be fed either by a tracked mobile crusher, shovel or an excavator and has the capacity to process at a rate of up to 450 Tonnes per hour. Now available with dual power technology option. On-board electrical motors allow flexibility to run from an outside power supply or standard on-board engine.

Features:

- ▶ Screen box angle can be hydraulically adjusted to an angle between 13° to 19°.
- ▶ Screen box discharge end raises hydraulically 500mm to facilitate mesh changing.
- ▶ Screen box can accept punch plate, cascade fingers, bofar bars and speedharps.
- ▶ Galvanised access catwalk on both side of screen.
- ▶ Oversize conveyor angle can be adjusted from 18° to 24°.
- ▶ 1.2m wide Belt feeder complete with 7m³ manual folding hopper.

STANDARD FEATURES

- Tier 3 / Stage IIIA Caterpillar C4.4 - 4 cylinder diesel engine developing 83kW (111.3hp)
- Tier 3 / Stage IIIA Caterpillar C4.4 ATAAC ACERT - 4 cylinder diesel engine developing 97kW (130hp)
- Stage IIIA Perkins 1104 97kw Constant Speed Engine - 4 cylinder diesel engine developing 97kW (130hp) 1800 rpm - Europe Only
- Tier 4F / Stage IV - Caterpillar C4.4 - 4 cylinder diesel engine developing 82kW (110hp) @ 2200 rpm
- Hopper Capacity: 7m³ (9.16yd³)
- Feed height 3.56m (11' 8")
- Drive: Twin drive motor gearbox arrangement
- Belt width: 1.2m (40")
- Speed Variable: 0 - 21m/min
- Top & bottom deck: 3.66m x 1.53m (12' x 5')
- Tensioning top deck: side
- Screen angle: 13° - 19°, hydraulic adjustable
- Belt width: 1.2m (48") on O/S conveyor
- Speed: Variable speed, 50 m/min max belt speed
- Belt width: 800mm (32") chevron belt on midgrade conveyor
- Speed: variable speed 120 m/min (394 ft/min) max belt speed
- Belt width: 800mm (32") plain belt on fines conveyor
- Speed: variable speed, 120 m/min (394 ft/min) max belt speed
- Heavy duty undercarriage unit with 400mm wide pads - 2920mm sprocket centres
- Control operation of tracks via hand held-set with 5m connection lead
- Safety guards in compliance with machinery directive
- Low level greasing
- Emergency Stops (4 nr)

Hopper / Feeder

- ▶ Hopper Capacity: 7m³ (9.16yd³)
- ▶ Feed height: 3.56m (11' 8")
- ▶ Feed in width: 2.6m (8' 6")
- ▶ Drive: Twin drive motor gearbox arrangement
- ▶ Belt width: 1.2m (40")

Powerunit

- ▶ Tier 3 / Stage IIIA: Caterpillar C4.4 Engine Power: 83kW (111.3hp) Engine Speed: 2200 rpm
- ▶ Tier 3 / Stage IIIA: Caterpillar C4.4 Engine Power: 97kW (130hp) Engine Speed: 2200 rpm
- ▶ Stage IIIA Constant Speed: Perkins 1104 Engine Power: 97kW (130hp) Engine Speed: 1800 rpm
- ▶ Tier 4F / Stage IV : Caterpillar C4.4 Engine Power: 82kW (110hp) Engine Speed: 2200 rpm

Fines conveyor

- ▶ Belt width: 800mm (32")
- ▶ Belt spec: plain belt
- ▶ Working Angle: 24° - 28°
- ▶ Rosta scraper on head drum
- ▶ Speed: variable speed, 120 m/min (394 ft/min) max belt speed
- ▶ Standard Discharge Height: 4m (13' 1") max
- ▶ Stockpile capacity: 95m³ (124yd³) max
- ▶ Optional telescopic section
- ▶ Extended Discharge Height: 5.1m (16' 9") max

Undercarriage

- ▶ Shoe Width: 400mm (16")
- ▶ Sprocket Centres: 2.92m (9' 5")
- ▶ Speed: 0.9kph
- ▶ Gradeability: 27°

Transfer conveyor

- ▶ Belt width: 1.2m (48")
- ▶ Belt Speed: 83 m/min (272 ft/min)
- ▶ Conveyor fully skirted

Screenbox

- ▶ Top deck: 3.66m X 1.5m (12' X 5')
- ▶ Bottom deck: 3.66m X 1.5m (12' X 5')
- ▶ Tensioning top deck: side
- ▶ Tensioning bottom deck: end
- ▶ Drive: hydraulic with heavy duty bearing
- ▶ Catwalks: Galvanised access catwalk on both side of screen
- ▶ Screen Angle: 13° - 19°, hydraulic adjustable
- ▶ Screen Speed: 1000 rpm
- ▶ Screen stroke: 8mm (0.4")
- ▶ Screen box discharge end raises hydraulically 500mm to facilitate mesh changing
- ▶ Total screening area: 10.95m² (120ft²)

Midgrade Conveyor

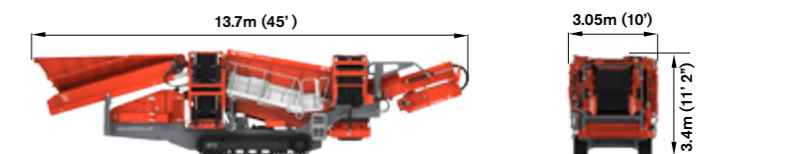
- ▶ Belt width: 800mm (32")
- ▶ Belt spec: chevron belt
- ▶ Working Angle: 22° - 26°
- ▶ Speed: variable speed 120 m/min (394 ft/min) max belt speed
- ▶ Standard Discharge Height: 3.4m (11' 2") max
- ▶ Stockpile capacity: 58m³ (76yd³) max
- ▶ Optional telescopic section
- ▶ Extended Discharge Height: 4.4m (14' 5") max
- ▶ Stockpile capacity: 126m³ (165yd³) max

Oversize conveyor

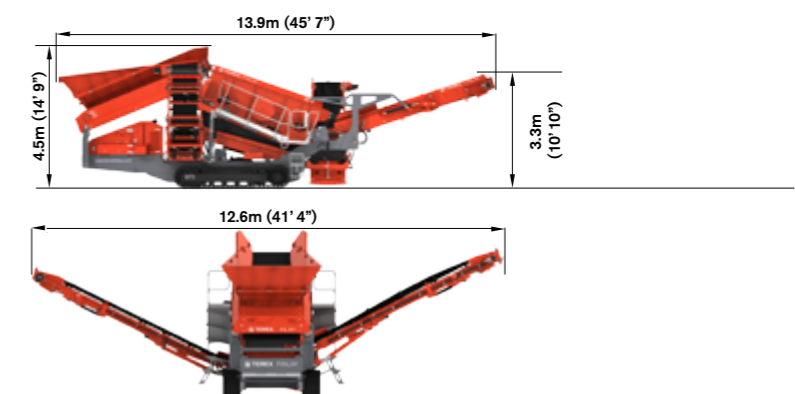
- ▶ Belt width: 1.2m (48")
- ▶ Working Angle: 18° - 24°
- ▶ Speed: Variable speed, 50 m/min max belt speed
- ▶ Impact bars 2/3 Length of Conveyor
- ▶ Steel skirted full length of conveyor
- ▶ Discharge Height: 3.5m (11' 5")
- ▶ Stockpile capacity: 64m³ (70yd³) max



Transport Dimensions



Working Dimensions



Machine Weight: * 26,300kg (57,982lbs)
* Standard Machine configuration

Follow us on:



www.terexfinlay.com

Effective January 2015. Product specifications and prices are subject to change without notice or obligation. The photographs and/or drawings in this document are for illustrative purposes only. Refer to the appropriate Operator's Manual for instructions on the proper use of this equipment. Failure to follow the appropriate Operator's Manual when using our equipment or to otherwise act irresponsibly may result in serious injury or death. The only warranty applicable to our equipment is the standard written warranty applicable to the particular product and sale and Terex GB Ltd. makes no other warranty, express or implied. Products and services listed may be trademarks, service marks or trade-names of Terex Corporation and/or its subsidiaries in the USA and other countries. All rights are reserved. Terex® is a registered trademark of Terex Corporation in the USA and many other countries. Copyright 2010 Terex GB Ltd.



TEREX® | FINLAY

WORKS FOR YOU.™